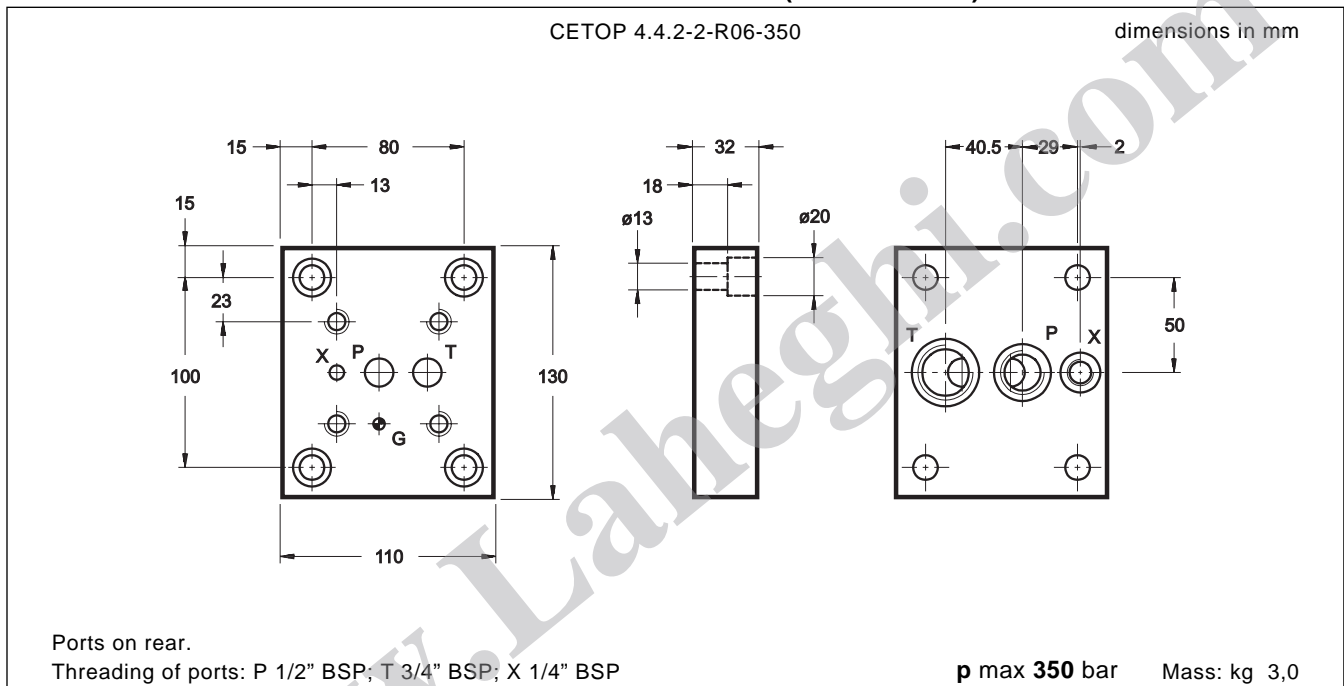


SUBPLATES

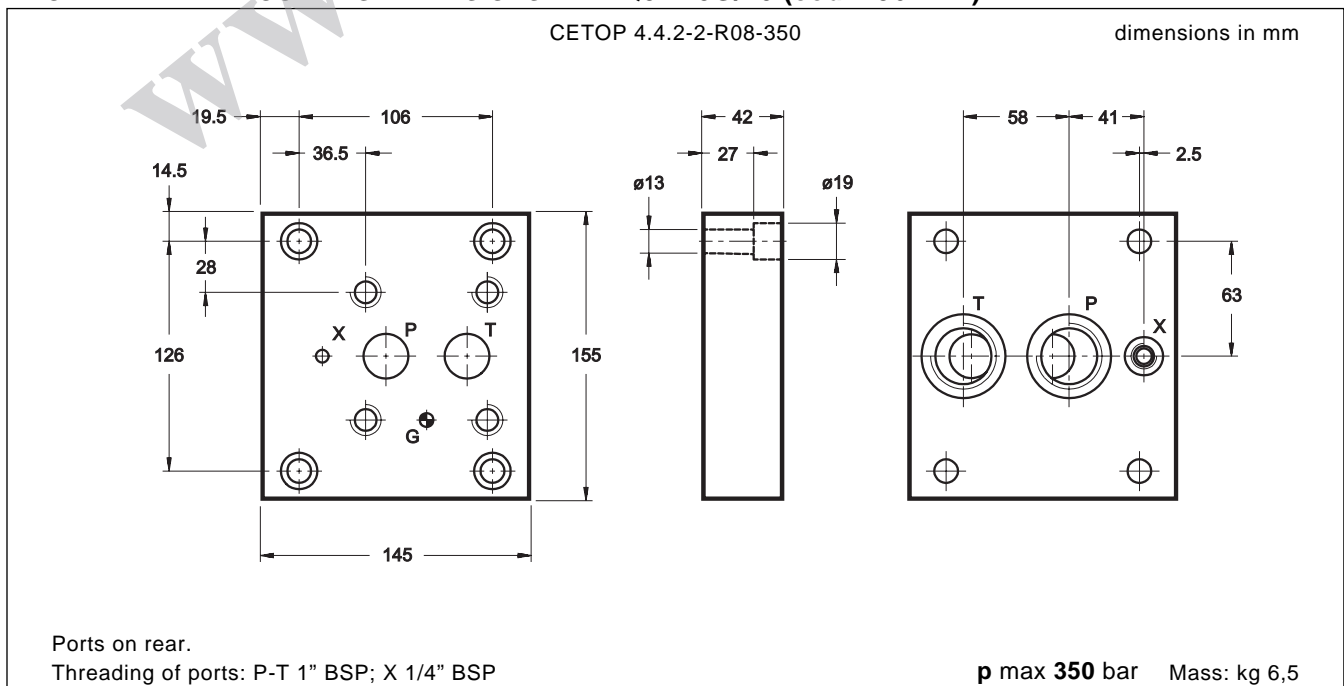
PMRQ*

SUBPLATES FOR PRESSURE CONTROL VALVES

1 - OVERALL AND MOUNTING DIMENSIONS PMRQ3-AI4G/20 (cod. 1961211)



2 - OVERALL AND MOUNTING DIMENSIONS PMRQ5-AI5G/20 (cod. 1961221)

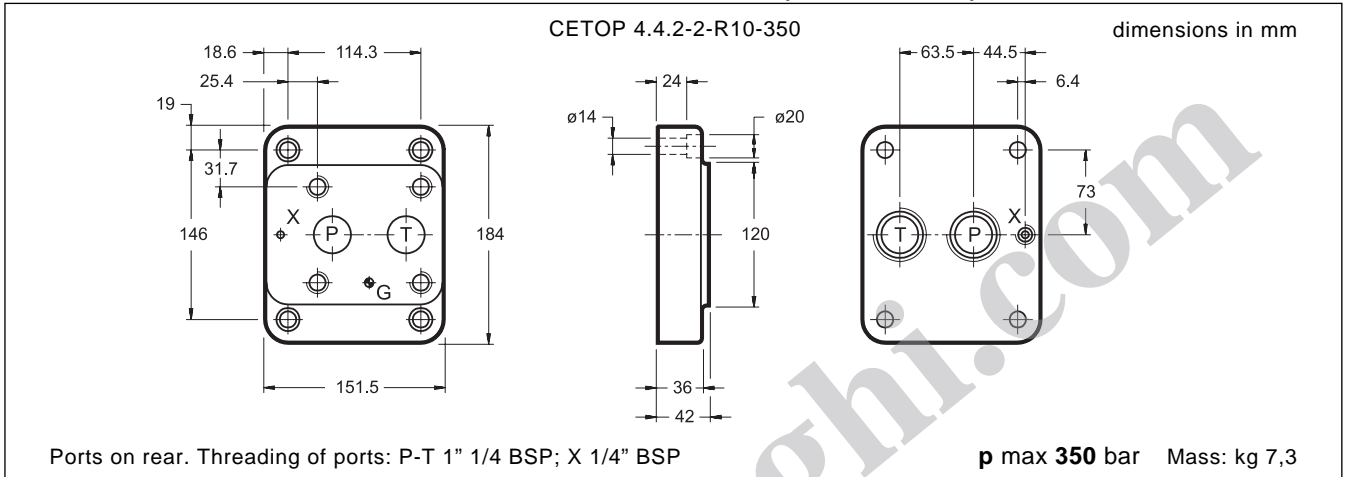




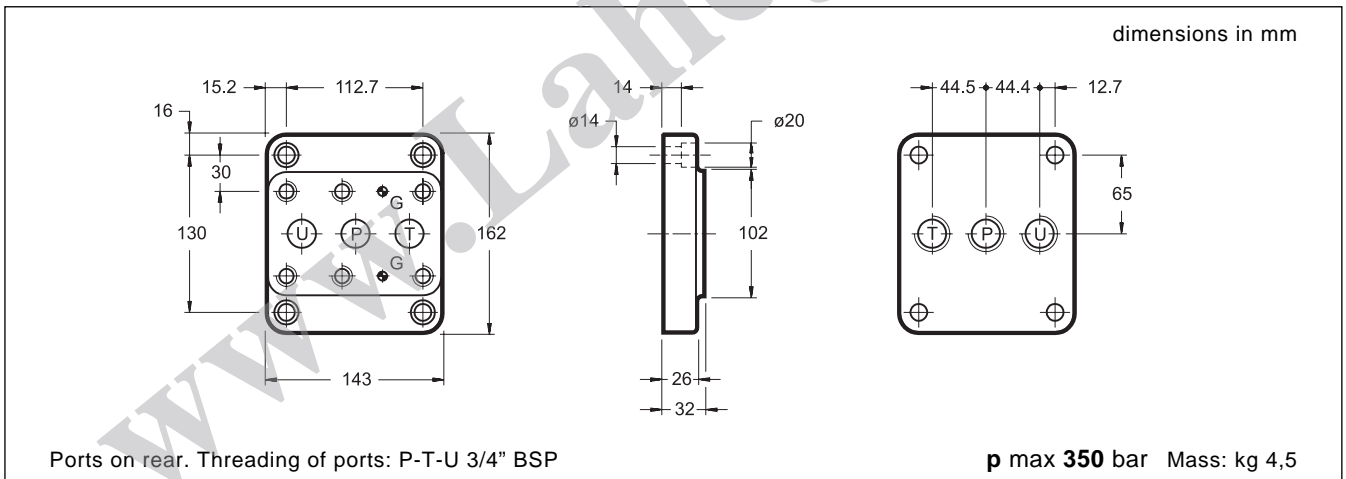
PMRQ*

SUBPLATES FOR PRESSURE CONTROL VALVES

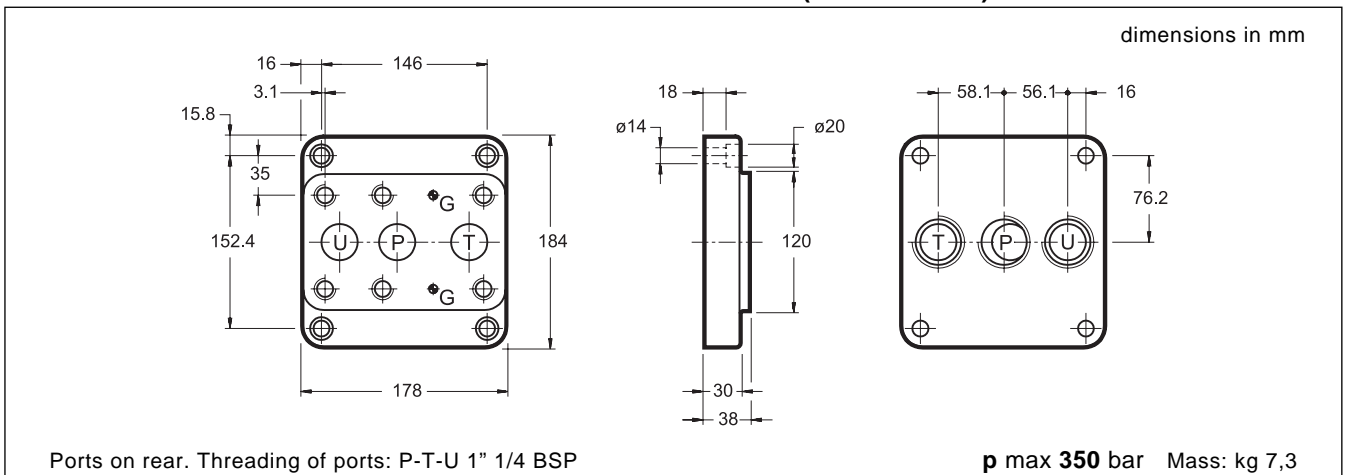
3 - OVERALL AND MOUNTING DIMENSIONS PMRQ7-AI7G/10 (cod. 1960051)



4 - OVERALL AND MOUNTING DIMENSIONS PMRQA5-AI5G/10 (cod. 1960070)



5 - OVERALL AND MOUNTING DIMENSIONS PMRQA7-AI7G/10 (cod.1960090)

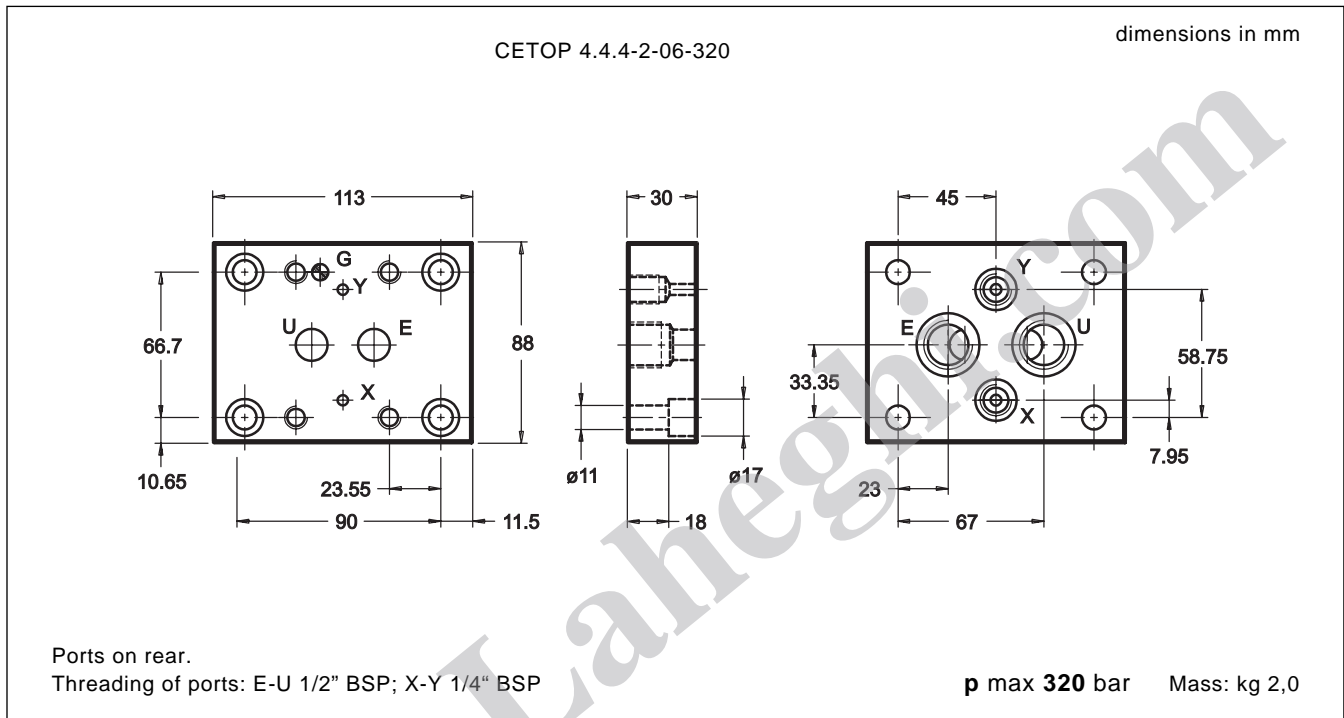




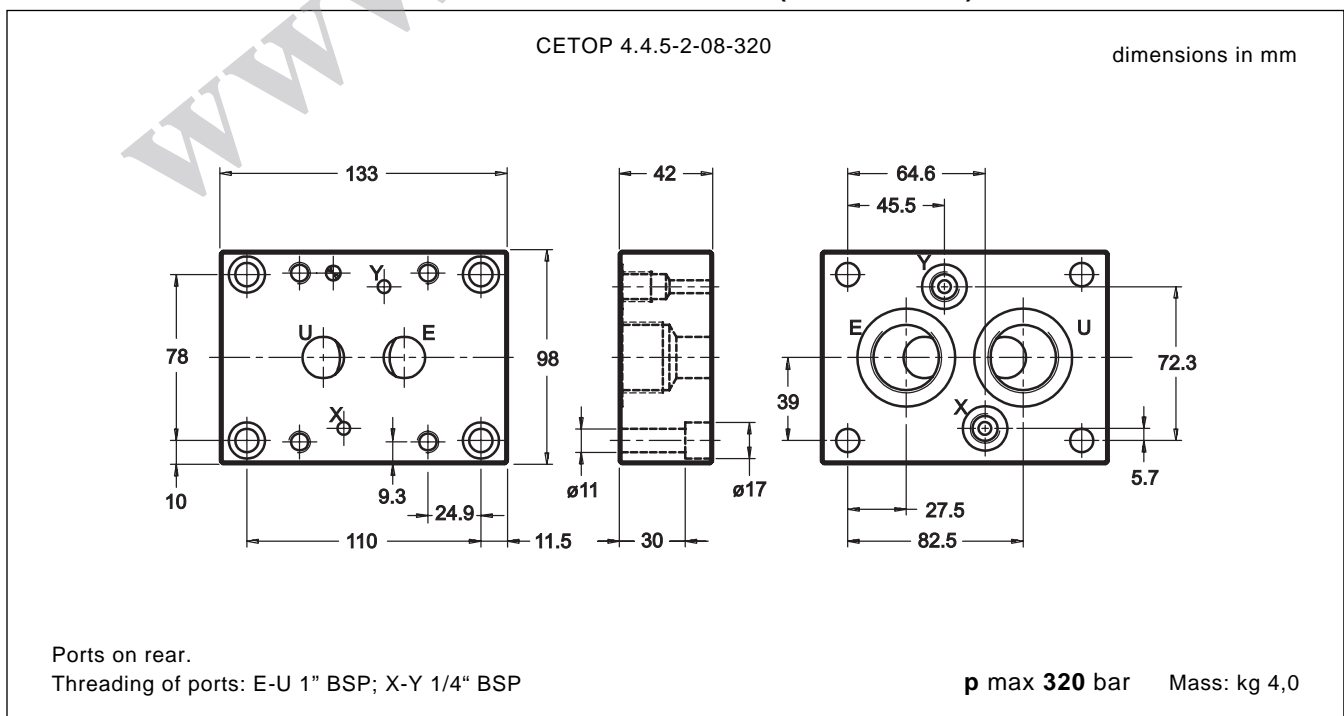
PMSZ*

SUBPLATES FOR S - Z VALVES

6 - OVERALL AND MOUNTING DIMENSIONS PMSZ3-AI4G/20 (cod. 1961231)



7 - OVERALL AND MOUNTING DIMENSIONS PMSZ5-AI6G/20 (cod. 1961241)



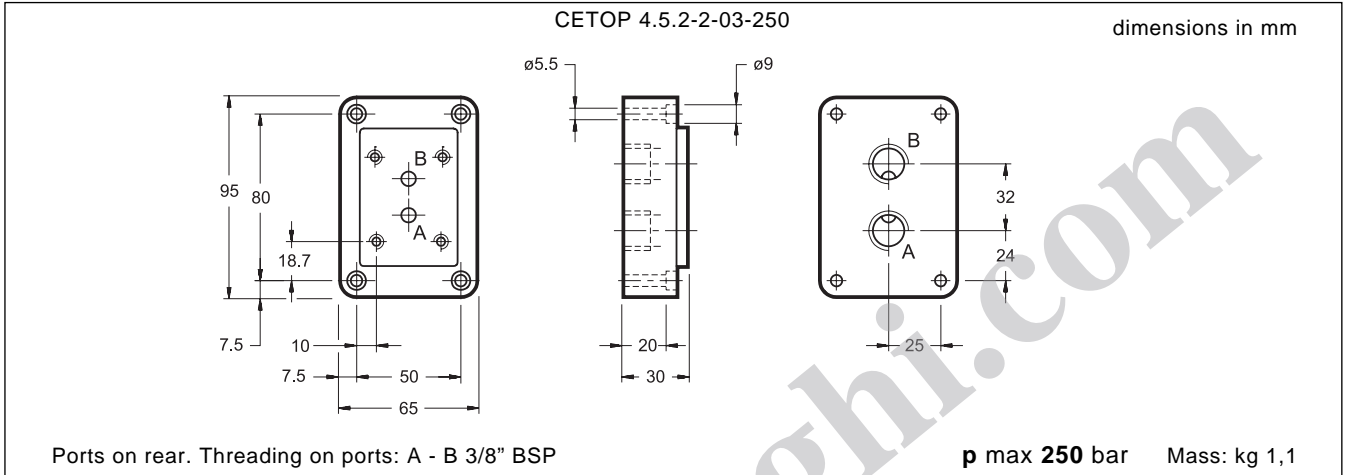


PMRPC*

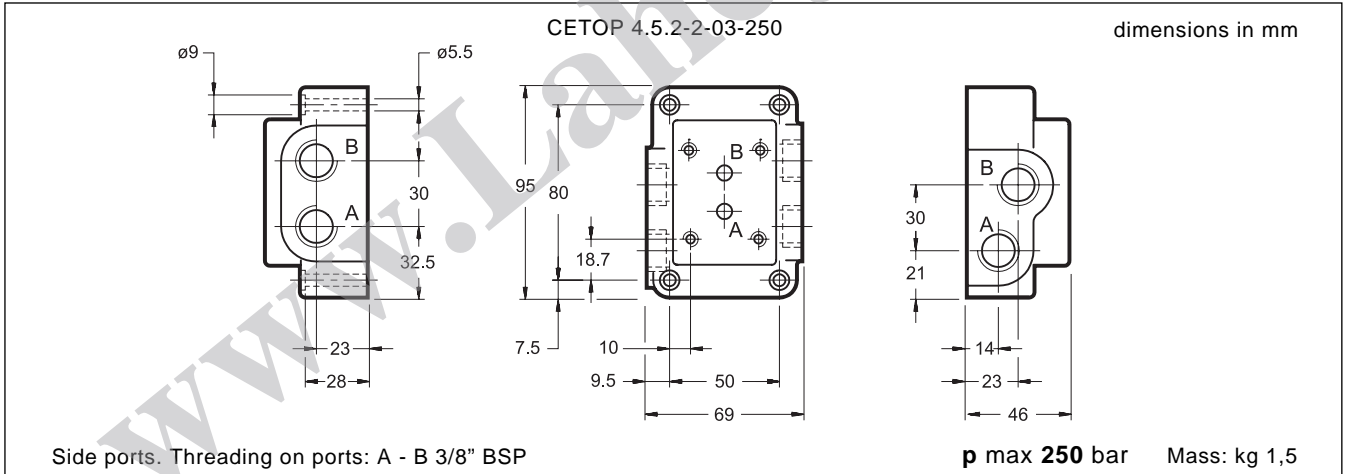
SUBPLATES

FOR FLOW CONTROL VALVES

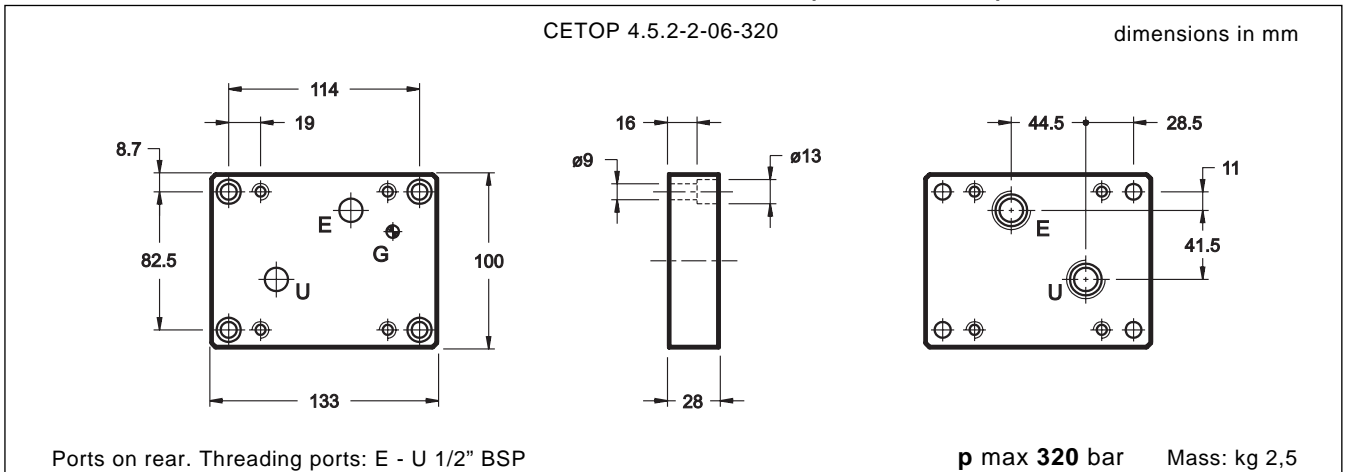
8 - OVERALL AND MOUNTING DIMENSIONS PMRPC1-AI3G/10 (cod. 1961045)



9 - OVERALL AND MOUNTING DIMENSIONS PMRPC1-AL3G/10 (cod. 1961051)



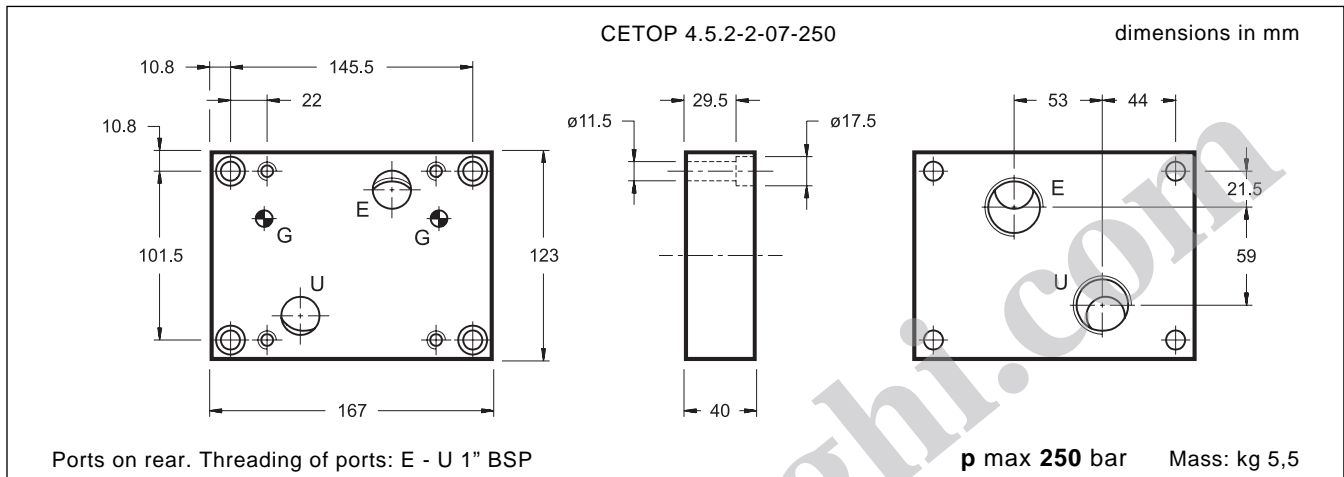
10 - OVERALL AND MOUNTING DIMENSIONS PMRPC2-AI4G/10 (cod. 1960330)



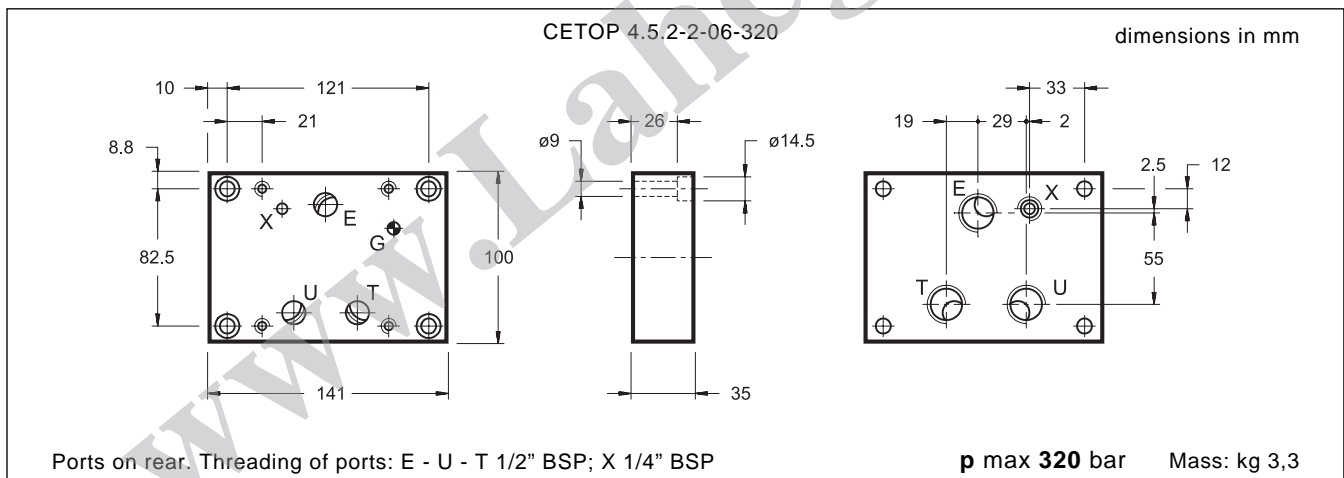


PMRPC* SUBPLATES FOR FLOW CONTROL VALVES

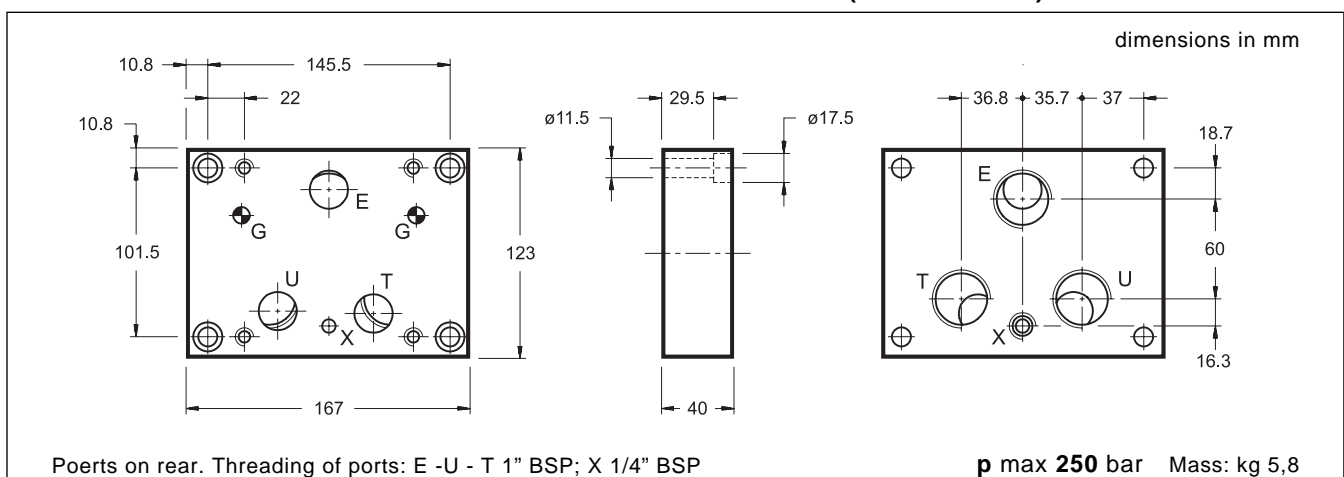
11 - OVERALL AND MOUNTING DIMENSIONS PMRPC3-AI6G/10 (cod. 1960511)



12 - OVERALL AND MOUNTING DIMENSIONS PMRPCQ2-AI4G/10 (cod. 1960526)



13 - OVERALL AND MOUNTING DIMENSIONS PMRPCQ3-AI6G/10 (cod. 1960423)



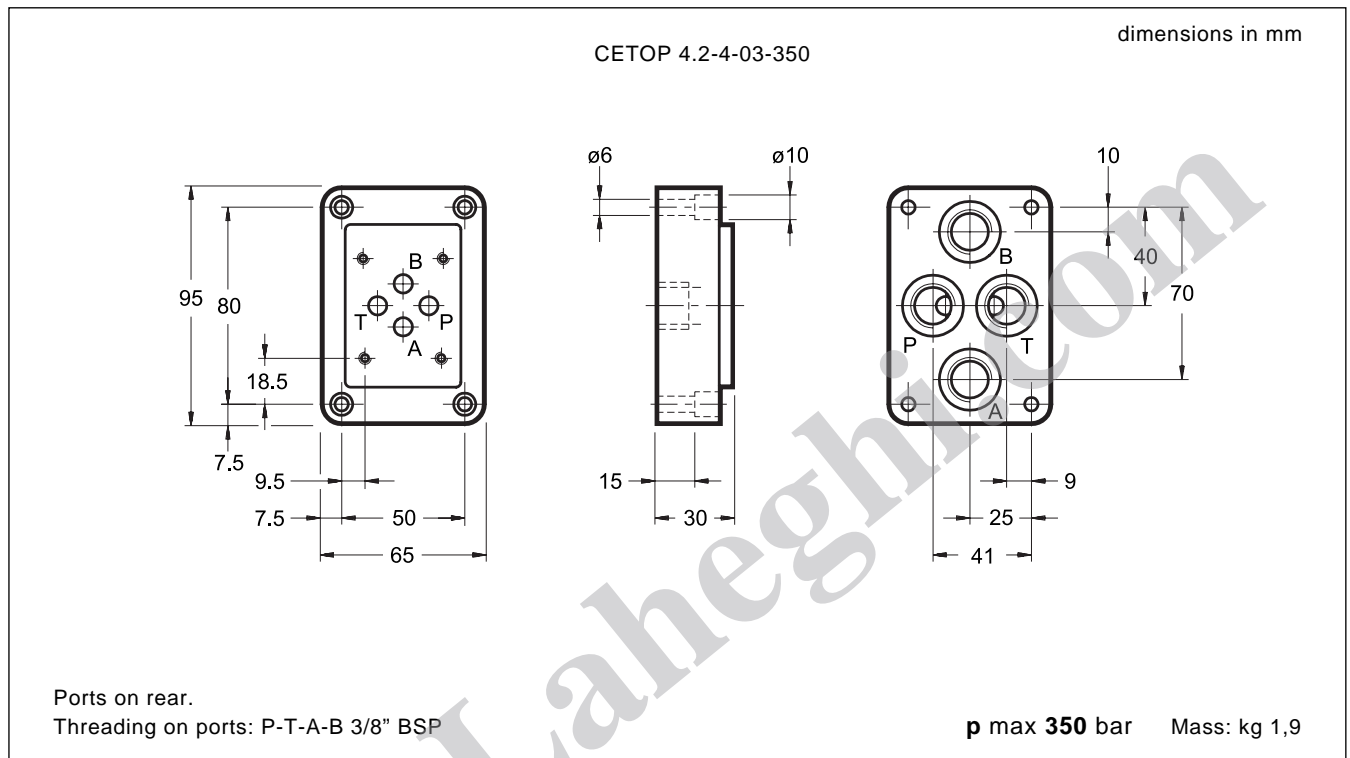


PMDD

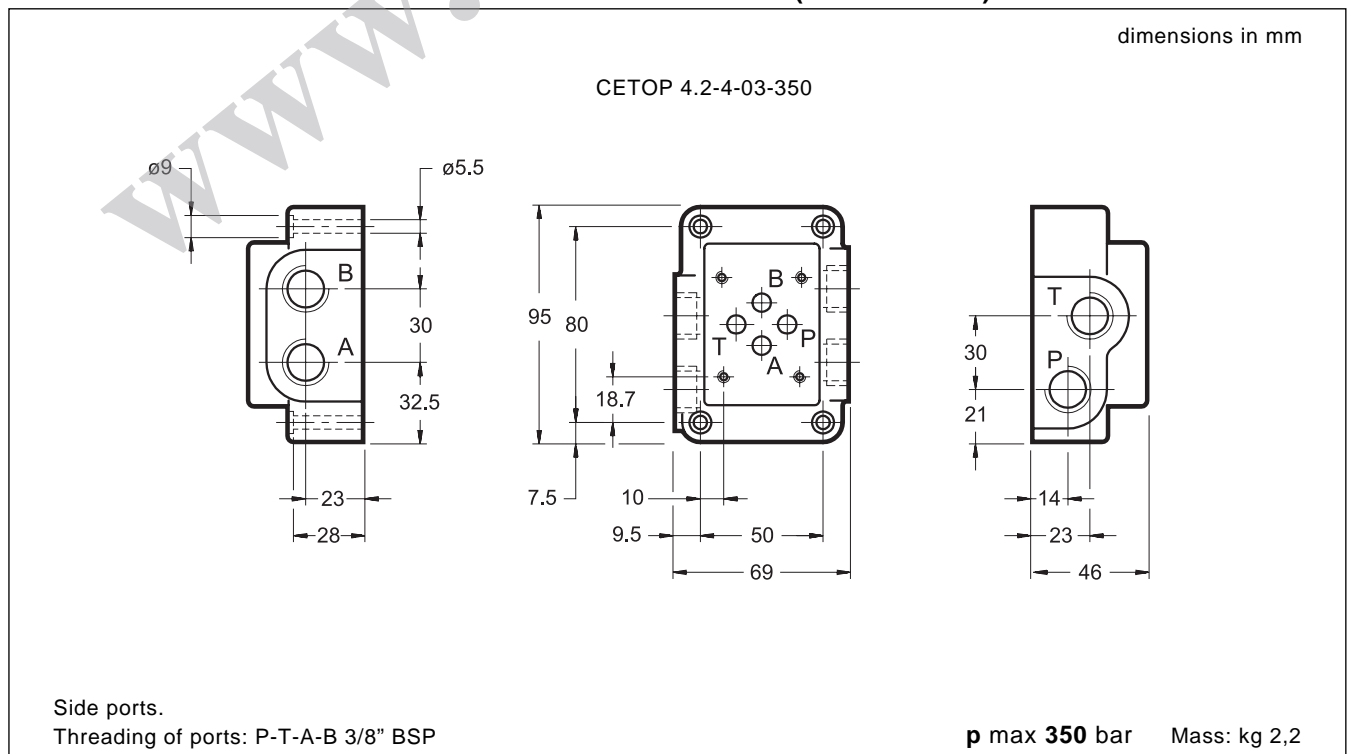
SUBPLATES

FOR CETOP 03 VALVES

14 - OVERALL AND MOUNTING DIMENSIONS PMDD-AI3G/20 (cod. 1961261)



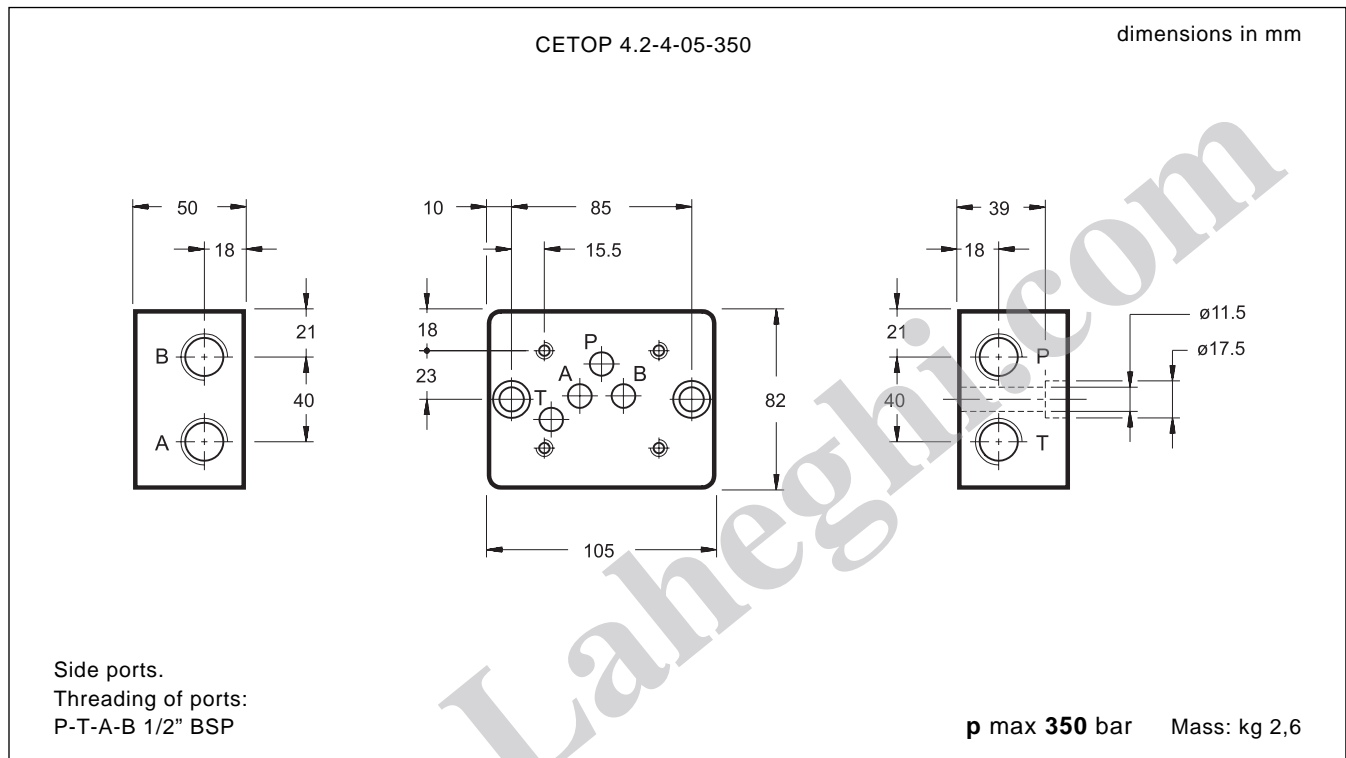
15 - OVERALL AND MOUNTING DIMENSIONS PMDD-AL3G/11 (cod. 1961251)



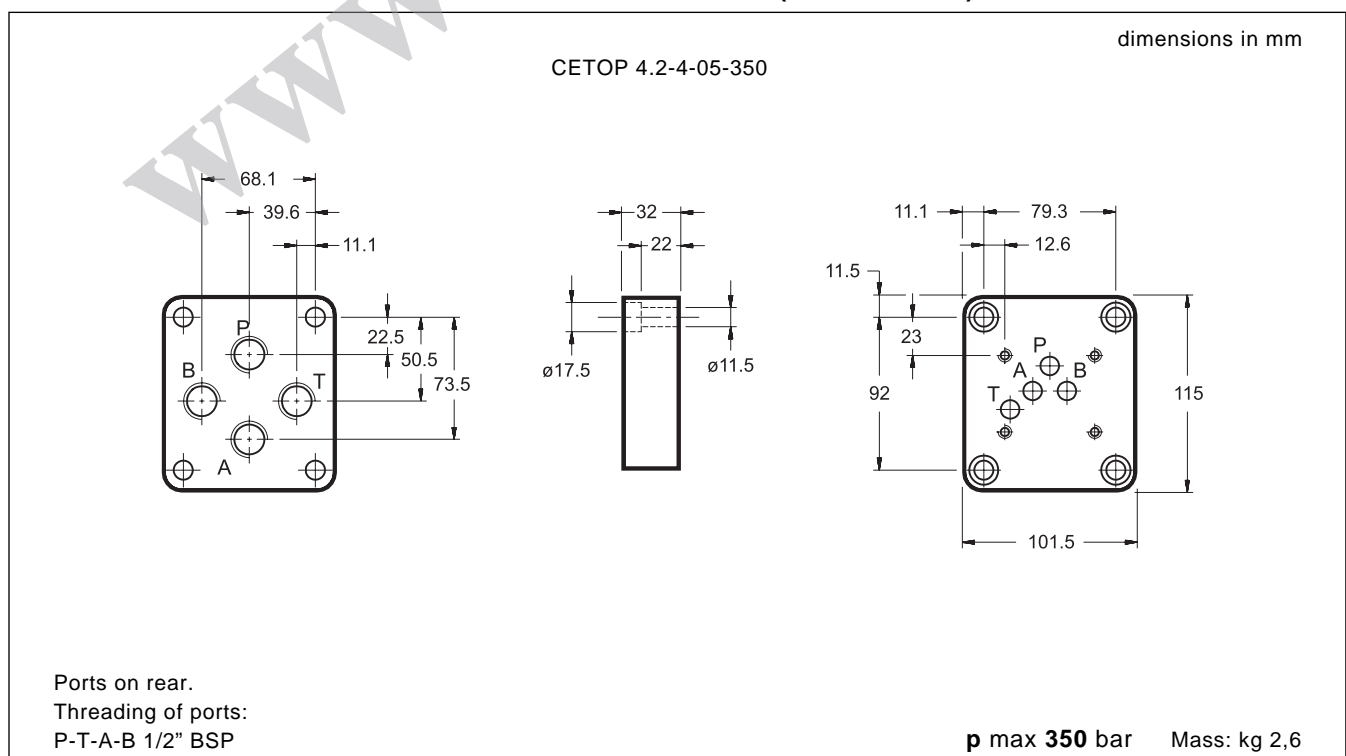


PMD4 SUBPLATES FOR CETOP 05 VALVES

16 - OVERALL AND MOUNTING DIMENSIONS PMD4-AL4G/10 (cod. 1960981)



17 - OVERALL AND MOUNTING DIMENSIONS PMD4-AI4G/10 (cod. 1960961)



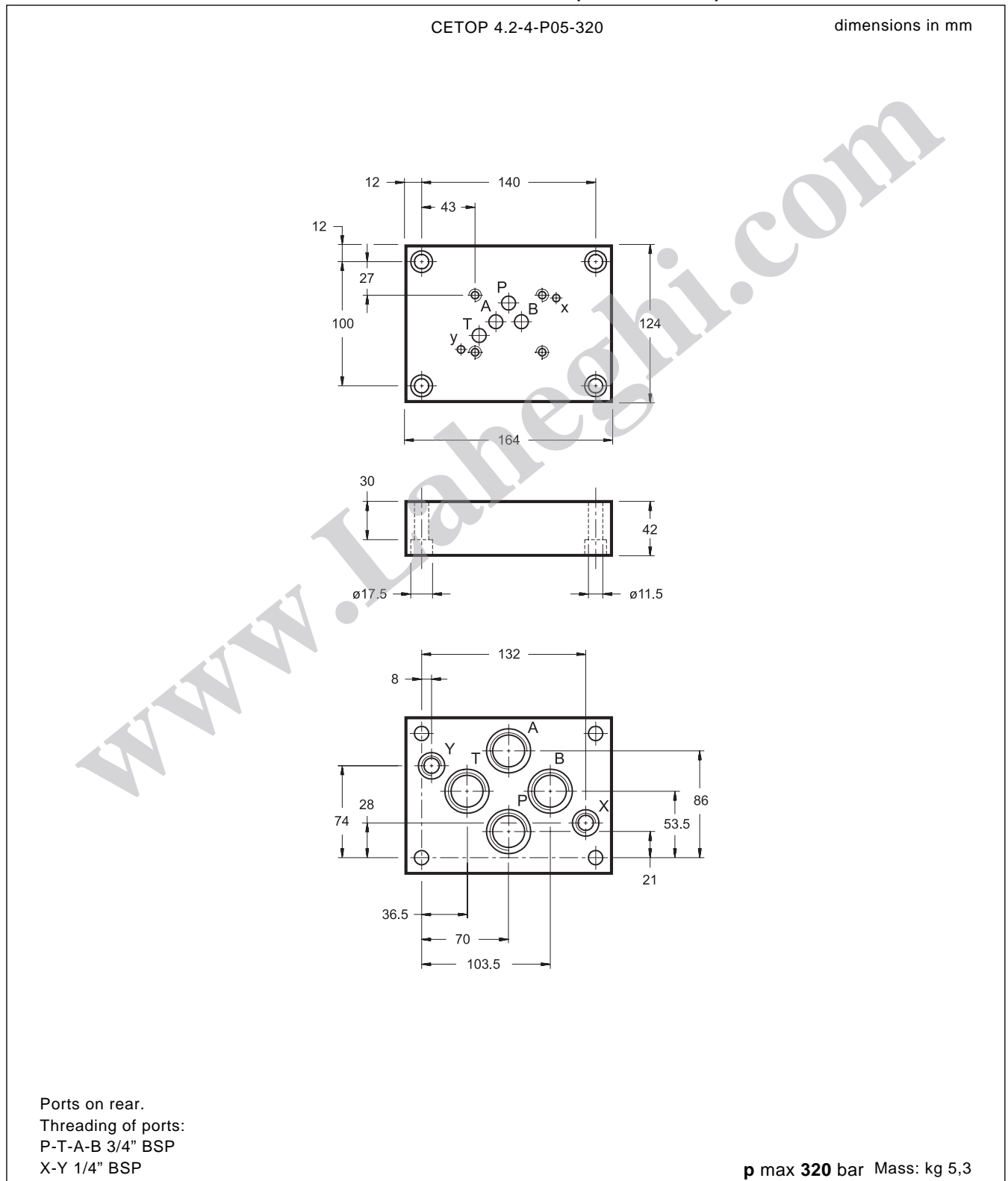


PME4

SUBPLATES

FOR CETOP P05 VALVES

18- OVERALL AND MOUNTING DIMENSIONS PME4-AI5G/10 (cod. 1961181)



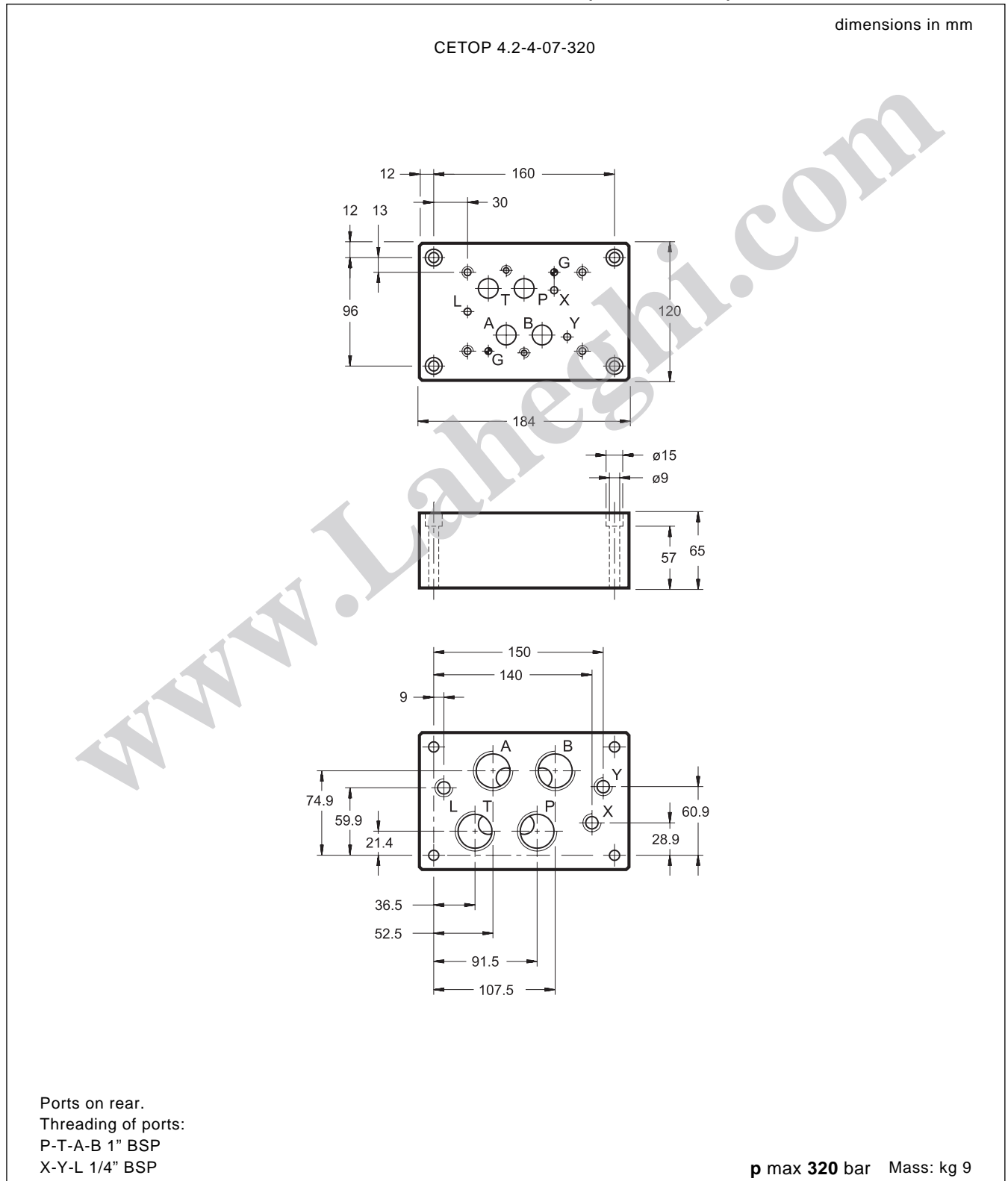


PME07

SUBPLATES

FOR CETOP 07 VALVES

20- OVERALL AND MOUNTING DIMENSIONS PME07-AI6G/10 (cod. 1961071)





PME07

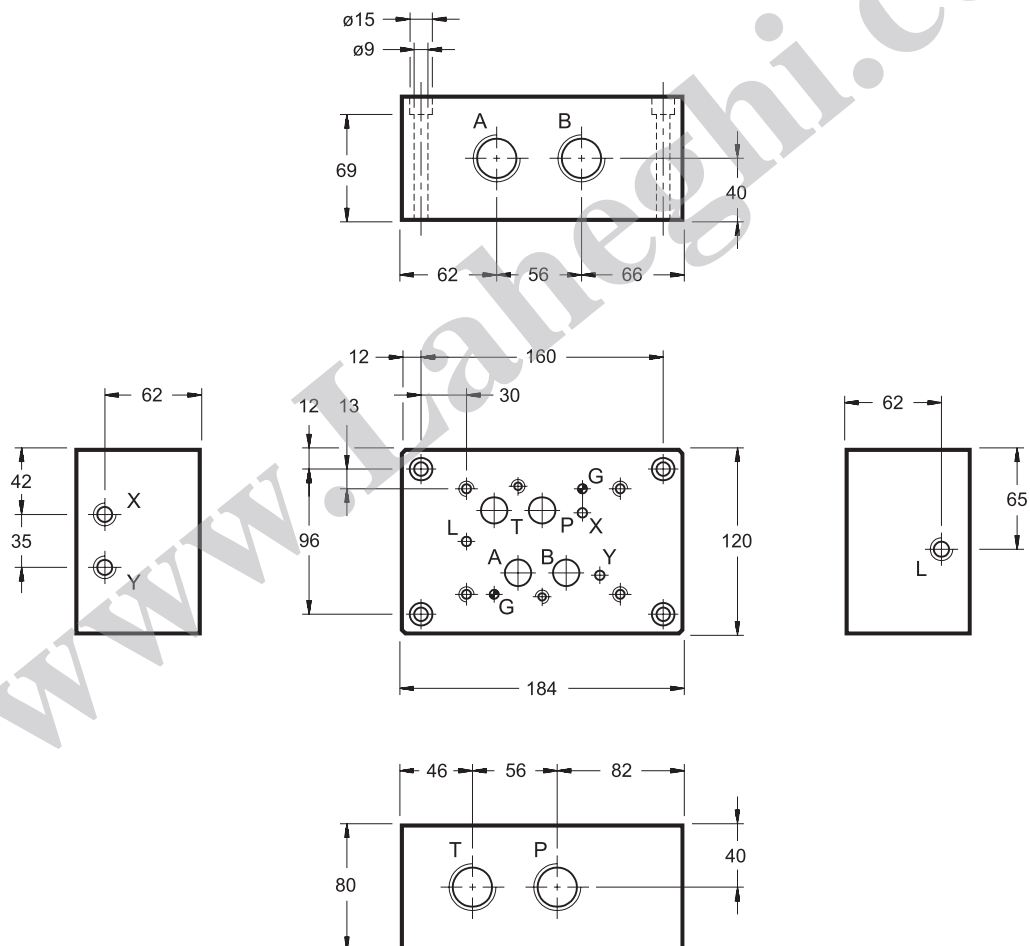
SUBPLATES

FOR CETOP 07 VALVES

21- OVERALL AND MOUNTING DIMENSIONS PME07-AL6G/10 (cod. 1961111)

dimensions in mm

CETOP 4.2-4-07-320



Side ports.
Threading of ports:
P-T-A-B 1" BSP
X-Y-L 1/4" BSP

Mass: kg 11,5

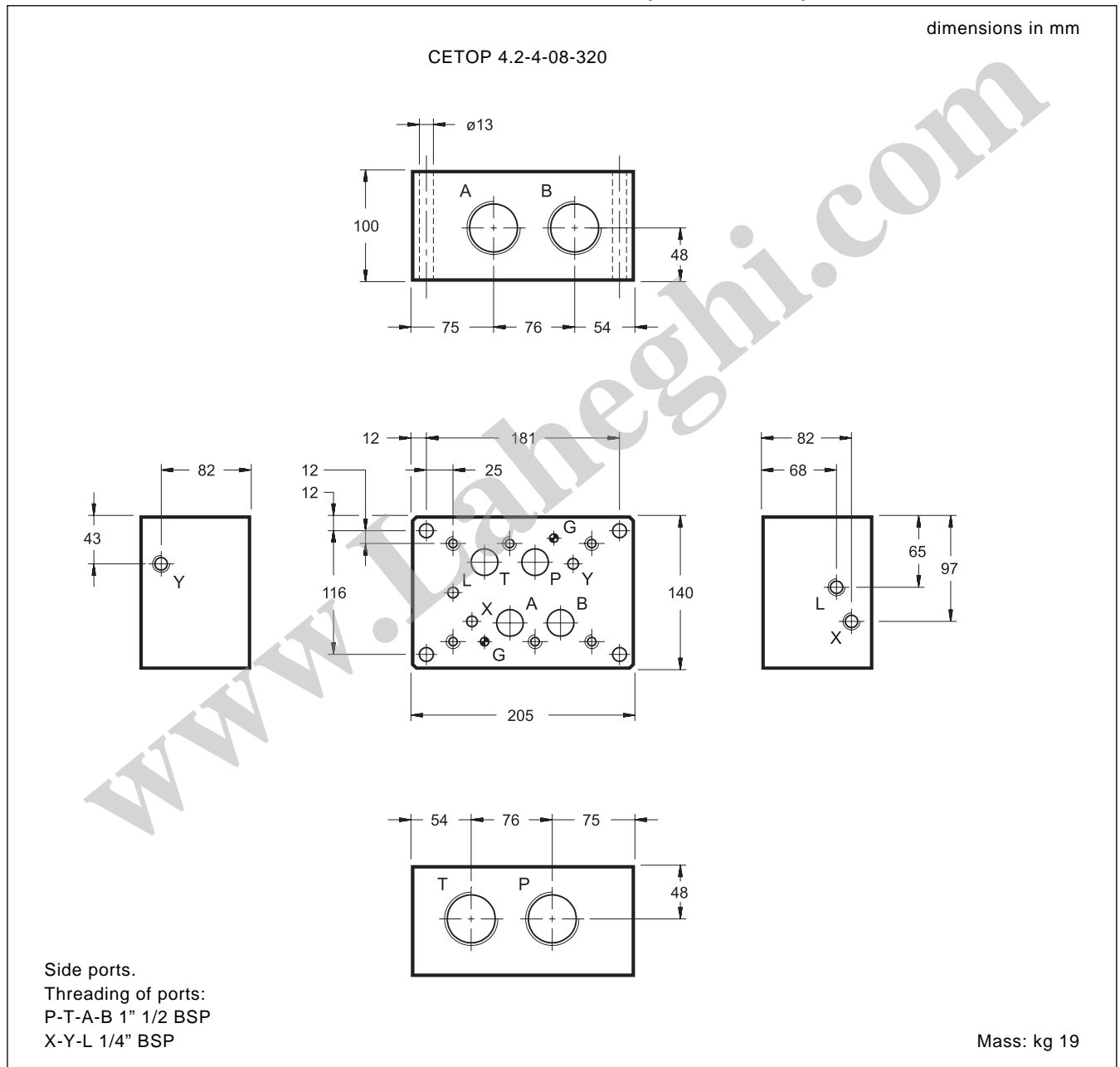


PME5

SUBPLATES

FOR CETOP 08 VALVES

22- OVERALL AND MOUNTING DIMENSIONS PME5-AL8G/10 (cod. 1961141)



DIPLOMATIC OLEODINAMICA SpA
20025 LEGNANO (MI) - P.le Bozzi, 1 / Via Edison
Tel. 0331/472111 - Fax 0331/548328